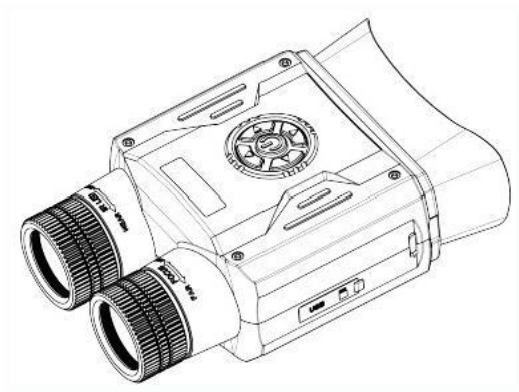


数码夜视仪

Digital Night Vision Binocular

使用说明书

Operating Instruction



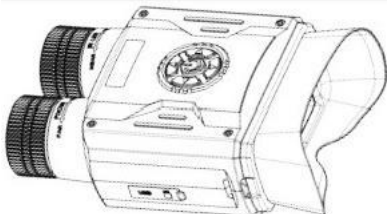
Digital Night Vision Binocular

Operating Instruction

【Contents

Overview	
Operating Hints	*
Components	
Buttons	5
Operating Instructions.....	
Icons Description.....	
Scenery Observation	
Brightness Adjustment	9
Photo Shooting	11
Video Shooting and Playbacking	12
Time/Menu Setting.....	13
Menu Descriptions	14
PCs Connection	15
Auto Power Off/Power Management	16
Basic Parameters	17
Configuration Standard	18
Operating Environment and others	19

【Overview】



【Name】 Digital Night Vision Binocular

【Features】

- The night vision Binocular which can be used in complete darkness or low light situation.
The viewing distance (full dark): 500 meters
The viewing distance (low light): Infinity
- It could be used during the day or at night. If the light is too strong during the day, it will get a better visual effect when the objective lens shelter is on, and at night, the objective lens shelter must be removed for better observation. It also owns the photo shooting, video shooting, playback functions. It achieves 5X optical zoom and 8X digital zoom.
- It is the perfect optical device to enhance human's visual

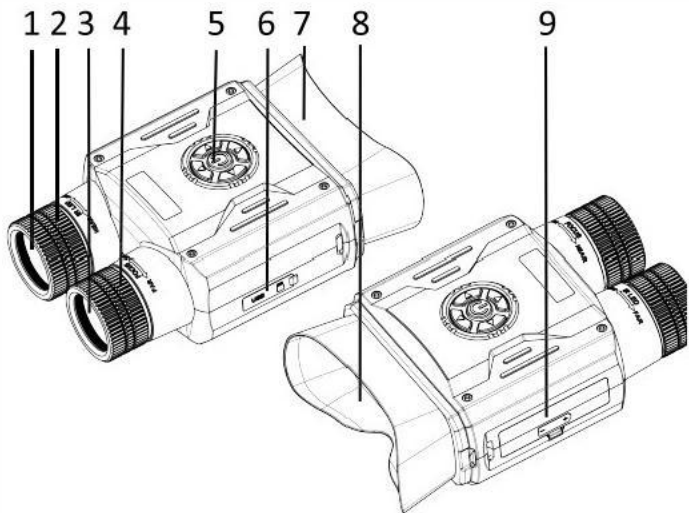
senses.

【Operating Hints】

【Operating Hints】

- Night Vision Binocular is the optical instrument to obtain the images of objects under the low light and night situation.
- Infrared illuminator is equipped. It applies to use in the full dark environment.
- Turn the infrared illuminator on when the Binocular works in the dark. Adjusting the brightness of infrared illuminator regarding to the distance of objects. Low level illuminance transducer is equipped also. If there is any light resource existed, such as street lamps or moonlight, the infrared illuminator need not to be turned on, adjusting the focal length of objective lens and the screen brightness will achieve a clear image.
- Up to 12 hour runtime without the use of infrared illuminator. Up to 3 hour with IR illuminator on.

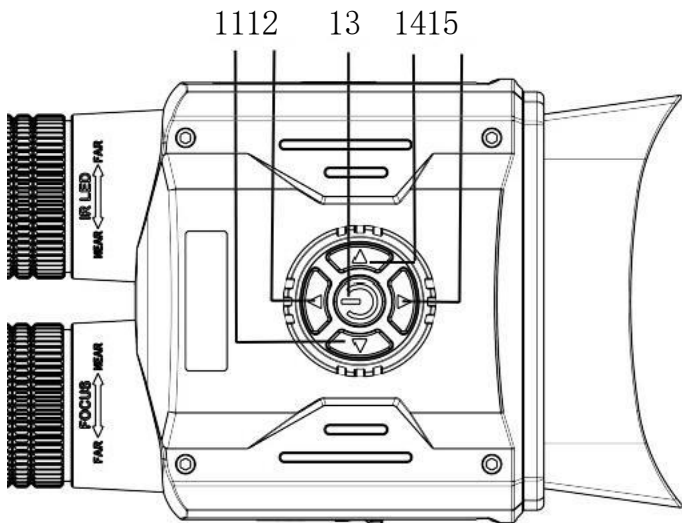
【Components】



1-Infrared illuminator
3-Objective lens
5-Operating zone
7-Eyecup
9-Battery compartment;

2 -IR LED focus wheel
4-Objective focus wheel
6- TF card socket /USB 2.0 socket
8-Ocular lens

【 Buttons 】



11- Menu Switch for auxiliary light and adjustment of brightness of screen

12-UP

13-POWER/Function Check

14-Functions(for photo shooting, video shooting, videoing, playback and video output)

15-DOWN

【Operating Instructions】

【Battery Installation】

- This night vision Binocular requires 18650 Model lithium-ion battery. Turn the battery cover counter-clockwise to unscrew the battery cover, insert the battery with negative electrodes bottomed, and then tighten the battery cover clockwise.

【Power On】

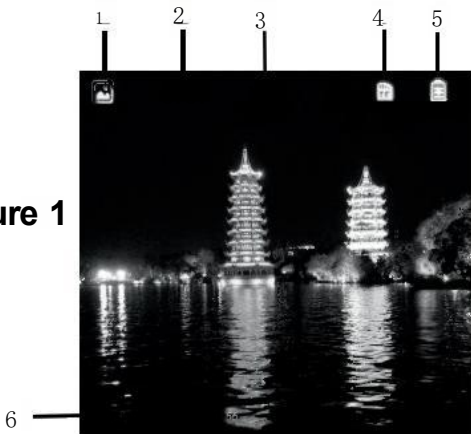
- Long press button#13 for 3 seconds, look through Eyecup#10, the Binocular works well if the screen is lightened and icons are shown normally (as Picture 1).
- Immediately starting the observation (photo shooting) mode once power on, the normal observation and the photograph operation can be performed.

【Power Off】

- In any mode, long press #13 for 2 seconds to turn the Binocular off.

【Icons Description】

Picture 1



- 1- Current mode(Photo shooting)
- 2- Image Capacity Remaining
- 3-magnification range
- 4 -TF card in
- 5- Battery charge indicator
- 6-System time

【Scenery Observation】

- In the observing (photo shooting) mode, aim the objects which need to be observed, look at the screen from Eyecup #8. And adjust the objective focus wheel #4 to get the sharpest image.
- Automatic fine-tuning control is operated by viewer according to the average brightness of scenery centrally.
- Digital zoom will be implemented by pressing #12 and #15 ranged at 1X to 8X.
- If the light resource is enough, turn the auxiliary light off to save the power.
- On the contrary, turn the auxiliary light on and then adjust the brightness to make the observation easily.
- On this time, Adjust the IR LED focus wheel #2 and objective focus wheel #4 to get the sharp images.

【 Brightness Adjustment 】

【Brightness Adjustment】

- In the observing(photo shooting and videoing)mode, press #11 two seconds to enter the brightness adjustment menu (as Picture 2), the number after"SCREEN:" means the current brightness of screen. The brightness ranged at 1 to 10 by pressing #12 and #15.Once appropriate brightness achieved, the screen brightness adjustment mode will be automatically switched off after 3 seconds.

【Adjustment for Illumination】

- In the observing(photo shooting and videoing) mode, press #11 once to open IR LED (as Picture 3). The index after"IR LED"states the brightness of auxiliary light, normally you can get a good view at range 2. Press #11 once again to turn off IR LED.
- Press #12,#15 to adjust the infrared illuminator ranged at 0~9(9-lightest, 0-turn off). Once appropriate brightness achieved, the auxiliary light adjustment mode will be automatically switched off after 3 seconds.

【 Screen Brightness and Infrared Illuminator Adjustment 】

Picture 2



Picture 3



【Photo Shooting】

【Announcements】

- In any mode above, the menu will be disappeared if there is not any operation within 3 seconds.
- Turn the auxiliary light off to save the power when light resource is enough. Don't block the auxiliary light when turn it on.

【Photo Shooting】

- The Binocular enters the observing (photo shooting) mode automatically after starting up (as Picture 1). You can observe the scenery or take pictures of what you want to retain.
- "OK" works as the shutter in this mode. Each press gets one shot. The photo will be saved automatically in the TF card.
- The images capacity remaining is counted by the storage of TF card. There is a small difference from the actual number of shots.

【Video Shooting and Playbacking】

【Video Shooting】

- In the observing mode, press #14 shortly to get into the video shooting mode. Press "OK" #13 to start shooting (shown as "START"), time shown on the left corner turns into the timekeeping and the viewer record the video automatically. Press "OK" #13 again to stop shooting (shown as "STOP"). In the shooting mode, the video clips will be saved in the TF card automatically. When the video shooting ends, time shown on the left corner states the available time counted by the storage of TF card.

【Playbacking】

- In the observing mode, press #14 to use the playback function. In the playback mode, press #12 and #15 to choose the photos and videos, and press "OK" #13 to view the photos and videos.
- In playback mode, press #11 to delete the current photo (video) or the whole photo(video). Press #12 or #15 to select photo(video). Press "OK" #13 to confirm).

【Time/Menu Setting】

【Time Setting】

- Long press #14 to start the menu. By pressing #12 and #15 to select the "Time Setting" option, short press "OK"#13 to enter, you can switch between the year / month / day / hour / minute / second, through "UP" and "DOWN" to adjust, press "OK"#13 again to confirm.

【Menu Setting】

- Long press #14 to enter the menu. By pressing #12 and #15 to select the options you need, short press "OK"#13 to enter, and press "OK"#13 when setting is done. Short press #14 to leave the menu setting mode.

【Menu Parameters】

Menu Options	Optional Choices	Tips
White Balance	Auto/Sunlight/Cloudy/Tungsten/Fluorescent	Select due to different weather conditions.
EV	-2~+2	Adjust EV according to different light levels to get a better effect.

【Menu Parameters】

【Menu Parameters】

Menu Options	Optional Choices	Tips
Audio	Yes/No	Record while video shooting or not.
Date Tag	Yes/No	Retain a date tag on the file when you are shooting or not.
Time Setting		Set the system time.
Auto Power-off	Off/One Minute/Three Minutes	Automatically shutdown if there is not any operation after specified time.
Language Setting	English/Chinese /Japanese	Set language environment.
Flicker	50Hz/60Hz	
Format		Format TF card
Reset System		Reset menu parameters to factory defaults

【PCs Connection】

【PCs Connection】

The Binocular is equipped with USB 2.0 interface.

Connect the viewer to the computer equipment by USB cable. The battery is in charging state when the Binocular connects with PCs.

Press #13 for 3 seconds, choose from function screen: Memory /PC camera/Video mode. Select "Memory", Binocular now is used as a mobile storage device, PC would identify the Binocular automatically and read the content in the TF card. Install the "PC camera" software in the TF card to the computer.

Restart the Binocular, select "PC camera" to enter the video shooting mode, a real-time shooting starts once any PC camera software installed in the the computer is on.

Select "Video" mode to view the scenery through the Binocular when connecting to PC, The battery is in charging state at the same time.

【Auto Power Off/Power Management】

【Auto Power Off】

- The viewer will be turned off if there is not any operation within 3 minutes.(Shut off the auto power-off function or specify the auto power-off time countdown in "Menu Setting".)
- The viewer won't be turned off automatically in the video shooting and playback mode.

【Battery Selection】

- High capacity chargeable lithium-ion battery, 18650 Model, 3.7V.
- Please ensure the battery would be charged for at least 10 hours at the first time to make it works best.

【External Power】

- The Binocular is equipped with external power. It can be charged through the USB interface, or by a standard mobile charging source.
- The Binocular would work continuously and won't be turned off automatically when there is an external power supply.
- The battery would be charged when the Binocular connects with external power.

【Basic Parameters】

Type	Items	Index
Optical Performance	Magnification	5
	Dimension of Objectives	φ 35mm
	FOV	8.5°
	Ocular Adjustable Range	±0.5
	Observing Distance (Low Light Environment)	2m~∞
	Observing Distance (Full Dark Environment)	2m~500m

Digital Performance	Sensor	Low Illumination HD1/3 COMS
	Photo	3200X1800
	Video	720P
	Display Screen	3.5 inch
	Digital Magnification	8

【Configuration Standard】

【Basic Parameters】

Power	Operating Voltage	3.7V DC
	Replaceable Battery	Rechargeable lithium-ion battery, 18650 Model
	Charging Source	5.0V/1000mA Adapter
Other	Measurement (L*W*H)	210mmX145mmX75mm
	Weight	550g

【Configuration Standard】

Items	Amount
Objective Lens Shelter	1
External Power Adapter	1
USB Cable	1
NV600 PRO Binocular	1
Pouch	1
Shoulder Strip	1
Binocular Strip	1
18650 Model lithium-ion Battery	1
Cloths	1

【Operating Environment and Announceme】

- Keep the Binocular in its soft pouch. When not in use. Operating temperature ranged at -5~40 °C . Relative humidity is 80%.
- In order to avoid the wetness and mildew, please keep it in the clear and dry environment. Avoiding the great pressure, mechanical damage, humidity and solar radiation also please.
- Avoid rain drops or fog as far as possible, and prevent from falling, bumping and collision.
- When the image jitter happens or the LCD couldn't be lighten, please charge the battery in time.
- Blow away the dusts before wipe the optical surface, such as objective lens, ocular lens and digital illuminator. Wipe it gently by fine and soft cloths.
- If the Binocular won't be used for a long time, please keep charge the battery occasionally to avoid the effectiveness lose.

